

“DIAQUICK” DOA Saliva Multi-6 Test

for human oral fluid samples

DOA Saliva Multi-6 Test	AMP, MET, COC, OPI, PCP, THC
- REF Z04580CE	Content: - 25 tests, individually packed (25x REF Z09550B) - 25 collectors - 25 collection tubes - 1 package insert - 25 security seals
DOA Saliva Multi-6/1 Test	AMP, MET, COC, OPI, MTD, THC
- REF Z08581CE	Content: - 25 tests, individually packed (25x REF Z09553B) - 25 collectors - 25 collection tubes - 1 package insert - 25 security seals

For in vitro diagnostic use only. For use by medical professionals only.
For diagnosis and therapeutic monitoring only.

INTENDED USE

The “DIAQUICK” DOA SALIVA MULTI-6 TEST (Oral Fluid) is a lateral flow chromatographic immunoassay for the qualitative detection of Amphetamine, Cocaine, Marijuana, Methamphetamine, Opiate, and Phencyclidine and their metabolites in oral fluid at the following cut-off concentrations. The detection window, when drugs can be detected in oral fluid specimens using this test, is also indicated. For in vitro diagnostic use only.

Parameter	Calibrator	Cut-off (ng/mL)	Detection Time
Amphetamine (AMP)	D-Amphetamine	50	10 min – 72 h
Cocaine (COC)	Benzoylcegonine	20	10 min – 24 h
Marihuana (THC)	11-nor- Δ^9 -THC-9 COOH	12	up to 14 h
Methamphetamine (MET)	D-Methamphetamine	50	10 min – 72 h
Opiate (OPI)	Morphine	40	1 h – several days
Methadone (MTD)	Methadone	30	up to 2 days
Phencyclidine (PCP)	Phencyclidine	10	-

This test will detect other related compounds, please refer to the Analytical Specificity table in this insert.

GENERAL INFORMATION

Method	competitive immunochromatographic assay
Antigen	> 2 μ g/test drug-protein-conjugate
Antibody	> 2 μ g/test anti-drug monoclonal antibody (mouse)
Shelf life	24 months from date of production
Storage	2-30°C
Sample	human oral fluid
Results	after 10 minutes, do not read after 20 minutes

CLINICAL SIGNIFICANCE

This assay provides only a preliminary analytical test result. A more specific alternate chemical method must be used in order to obtain a confirmed analytical result. Gas chromatography/mass spectrometry (GC/MS) and gas chromatography/tandem mass spectrometry (GC/MS/MS) are the preferred confirmatory methods. Professional judgment should be applied to any drug of abuse test result, particularly when preliminary positive results are indicated.

TEST PRINCIPLE

The “DIAQUICK” DOA SALIVA MULTI-6 TEST (Oral Fluid) is an immunoassay based on the principle of competitive binding. Drugs that may be present in the oral fluid specimen compete against their respective drug conjugate for binding sites on their specific antibody. During testing, a portion of the oral fluid specimen migrates upward by capillary action. A drug, if present in the oral fluid specimen below its cut-off concentration, will not saturate the binding sites of its specific antibody. The antibody will then react with the drug-protein conjugate and a visible colored line will show up in the test line region of the specific drug strip. The presence of drug above the cut-off concentration in the oral fluid specimen will saturate all the binding sites of the antibody. Therefore, the colored line will not form in the test line region. A drug-positive oral fluid specimen will not generate a colored line in the specific test line region of the strip because of drug competition, while a drug-negative oral fluid specimen will generate a line in the test line region because of the absence of drug competition. To serve as a procedural control, a colored line will always appear at the control line region, indicating that proper volume of specimen has been added and membrane wicking has occurred.

STORAGE AND STABILITY

Store as packaged in the sealed pouch either at room temperature or refrigerated (2-30°C). The test cassette is stable through the expiration date printed on the sealed pouch. The test cassette must remain in the sealed pouch until use. DO NOT FREEZE. Do not use beyond the expiration date.

REAGENTS

The test cassette contains drug protein conjugates and mouse monoclonal antibody coupled particles specific to each drug coated on the membrane. A goat antibody is employed in each control line.

WARNINGS AND PRECAUTIONS

- For medical and other professional in vitro diagnostic use only. Do not use after the expiration date.
- The test cassette should remain in the sealed pouch until use.
- All specimens should be considered potentially biohazardous and handled in the same manner as an infectious agent.
- The used collector and cassette should be discarded according to local regulations.

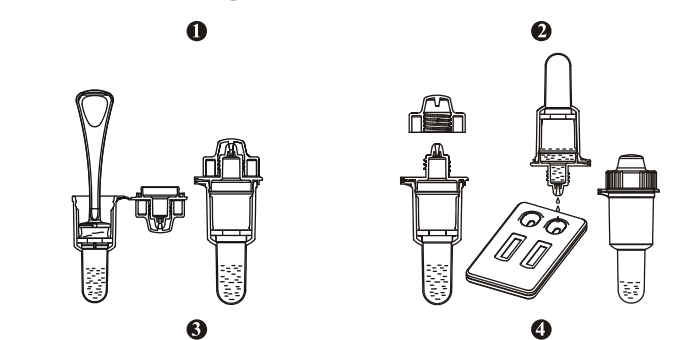
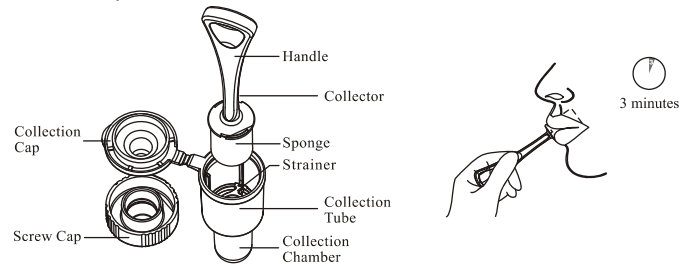
SAMPLE COLLECTION AND PREPARATION

The oral fluid specimen should be collected using the collector provided with the kit. Follow the detailed Directions for Use below. No other collection cassettes should be used with this test. Oral fluid collected at any time of the day may be used. If specimen cannot be tested immediately, it is recommended that specimen be stored at 2-8°C or -20°C for up to 72 hours. Specimen may also be stored at room temperature for up to 48 hours. For ideal shipment conditions, transport specimen using ice packs (2-8°C).

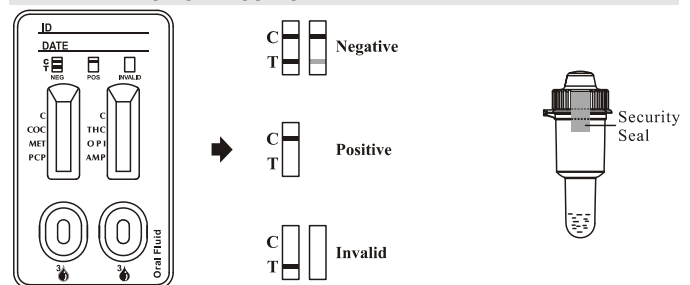
ASSAY PROCEDURE

Allow the test cassette, specimen, and/or controls to reach room temperature (15-30°C) prior to testing. Instruct the donor to not place anything in the mouth including food, drink, gum, tobacco products for at least 10 minutes prior to collection.

- Remove the test cassette from the sealed pouch and use it as soon as possible.
- Remove the collector from the sealed pouch and insert the sponge end of the collector into the mouth. Actively swab the inside of the mouth and tongue to collect oral fluid for a total of 3 minutes until the sponge becomes fully saturated. Gentle pressing of the sponge between the tongue and teeth will assist saturation. No hard spots should be felt on the sponge when saturated.
- Open the collection cap then remove the saturated oral fluid collector from the mouth and place into the collection chamber. Press sponge against the strainer to express as much oral fluid as possible into the collection chamber. Discard the collector. Snap the collection cap on the collection tube tightly.
- Place the test cassette on a clean and level surface. Twist open the screw cap from the collection tube. Invert the collection tube and transfer 3 drops of oral fluid (approx. 100 μ L) into each specimen well of the test cassette, and start the timer. Replace screw cap on the collection tube. Avoid trapping air bubbles in the specimen well.
- Wait for the colored line(s) to appear. Read results at 10 minutes. Do not interpret results after 20 minutes.
- Secure collection tube with security seal and send to laboratory for confirmation if necessary.



INTERPRETATION OF RESULTS



NEGATIVE: A colored line in the control line region (C) and a colored line in the test line region (T) for a specific drug indicate a negative result. This indicates that the drug concentration in the oral fluid specimen is below the designated cut-off level for that specific drug.

NOTE: The shade of color in the test line region (T) may vary, but it should be considered negative whenever there is even a faint colored line.

POSITIVE: A colored line in the control line region (C) but no line in the test line region (T) for a specific drug indicates a positive result. This indicates that the drug concentration in the oral fluid specimen exceeds the designated cut-off for that specific drug.

INVALID: Control line (C) fails to appear. Insufficient specimen volume or incorrect procedural techniques are the most likely reasons for control line failure. Review the procedure and repeat the test using a new test cassette. If the problem persists, discontinue using the lot immediately and contact your local distributor.

Note: A faint line appearing in the test region (T) may be caused when the drug concentration is near the cut-off value. Nevertheless the appearance of a line is the indication for a negative test. To get a confirmed result a more sensitive method must be used.

QUALITY CONTROL

A procedural control is included in the test. A colored line appearing in the control region (C) is considered an internal procedural control. It confirms sufficient specimen volume, adequate membrane wicking and correct procedural technique. Control standards are not supplied with this kit; however, it is recommended that positive and negative controls be tested as a good laboratory practice to confirm the test procedure and to verify proper test performance.

LIMITATIONS

- The "DIAQUICK" DOA SALIVA MULTI-6 TEST (Oral Fluid) provides only a qualitative, preliminary analytical result. A secondary analytical method must be used to obtain a confirmed result. Gas chromatography/mass spectrometry (GC/MS) or gas chromatography/tandem mass spectrometry (GC/MS/MS) is the preferred confirmatory method.
- A positive test result does not indicate the concentration of drug in the specimen or the route of administration.
- A negative result may not necessarily indicate a drug-free specimen. Drug may be present in the specimen below the cut-off level of the test.

PERFORMANCE CHARACTERISTICS

ANALYTICAL SENSITIVITY

A phosphate-buffered saline (PBS) pool was spiked with drugs to target concentrations of \pm 50% cut-off and \pm 25% cut-off and tested with the "DIAQUICK" DOA SALIVA MULTI-6 TEST (Oral Fluid). The results are summarized below.

Drug Conc.	n	MTD		COC		MET	
		-	+	-	+	-	+
0% Cut-off	30	30	0	30	0	30	0
-50% Cut-off	30	30	0	30	0	30	0
-25% Cut-off	30	24	6	30	0	28	2
Cut-off	30	14	16	20	10	23	7
+25% Cut-off	30	8	22	6	24	7	23
+50% Cut-off	30	0	30	0	30	0	30

Drug Conc.	n	PCP		THC		OPI	
		-	+	-	+	-	+
0% Cut-off	30	30	0	30	0	30	0
-50% Cut-off	30	30	0	30	0	30	0
-25% Cut-off	30	30	0	24	6	26	4
Cut-off	30	22	8	15	15	20	10
+25% Cut-off	30	8	22	11	19	5	25
+50% Cut-off	30	0	30	0	30	0	30

Drug Conc.	n	AMP					
		-	+				
0% Cut-off	30	30	0				
-50% Cut-off	30	30	0				
-25% Cut-off	30	26	4				
Cut-off	30	19	11				
+25% Cut-off	30	7	23				
+50% Cut-off	30	0	30				

ANALYTICAL SPECIFICITY

The following table lists the concentration of compounds (ng/mL) above which the "DIAQUICK" DOA SALIVA MULTI-6 TEST (Oral Fluid) identified positive results at 10 minutes.

AMPHETAMINE (AMP)		OPIATE (OPI)	
D-Amphetamine	50	Morphine	40
DL-Amphetamine	125	Codeine	10
β -Phenylethylamine	4,000	Ethylmorphine	24
Tryptamine	1,500	Hydromorphone	100
p-Hydroxyamphetamine	800	Hydrocodone	100
(+)-3,4-Methylenedioxyamphetamine (MDA)	150	Levorphanol	400
L-Amphetamine	4,000	Oxycodone	25,000
COCAINE (COC)		Morphine 3- β -D-Glucuronide	
Benzoylcegonine	20	Norcodeine	1,500
Cocaine HCl	20	Normorphine	12,500
Cocaehtylene	25	Nalorphine	10,000
Ecgonine HCl	1,500	Oxymorphone	25,000
Ecgonine methylester	12,500	Thebaine	1,500
MARIJUANA (THC)		Diacetylmorphine (Heroin)	
11-nor- Δ^8 -THC-9 COOH	12	6-Monoacetylmorphine	25
Cannabinol	12,500	Bilirubin	3,500
11-nor- Δ^8 -THC-9 COOH	2	PHENCYCLIDINE (PCP)	
Δ^8 -THC	6,000	Phencyclidine	10
Δ^9 -THC	10,000	Tetrahydrozoline	50,000
METHAMPHETAMINE (MET)		METHADONE (MTD)	
D-Methamphetamine	50	Methadone	30
Fenfluramine	60,000	Doxylamine	50,000
p-Hydroxymethamphetamine	400	Estrone-3-Sulfate	50,000
Methoxyphenamine	25,000	Phencyclidine	50,000
3,4-Methylenedioxyamphetamine (MDMA)	50		
L-Phenylephrine	4,000		
Procaine	2,000		
(1R,2S)-(-)-Ephedrine	400		

CROSS-REACTIVITY

A study was conducted to determine the cross-reactivity of the test with compounds spiked into drug-free PBS stock. The following compounds demonstrated no false positive results on the "DIAQUICK" DOA SALIVA MULTI-6 TEST (Oral Fluid) when tested at concentrations up to 100 μ g/mL.

Non Cross-Reacting Compounds:

Acetaminophen	Diazepam	MDE	Promazine
Acetophenetidine	Diclofenac	Mehentermine	Promethazine
N-Acetylprocainamide	Dicyclomine	Meperidine	D/L-Propranolol
Acetylsalicylic acid	Diflunisal	Meprobamate	D-Propoxyphene
Aminopyrine	Digoxin	Methadone	D-Pseudoephedrine
Amoxicillin	Diphenhydramine	Methyphenidate	Quinacrine
Ampicillin	Doxylamine	Nalidixic acid	Quinine
Amitypyline	L- Ψ -Ephedrine	Naloxone	Quindine
Amobarbital	β -Estradiol	Naltrexone	Ranitidine
Ascorbic acid	Estrone-3-sulfate	Noscapine	Salicylic acid
Apomorphine	Ethyl-p-aminobenzoate	Niacinamide	Secobarbital
Aspartame	L-Epinephrine	Nifedipine	Sulfamethazine
Atropine	Erythromycin	Nimesulide	Sulindac
Benzilic acid	Fenoprofen	Norethindrone	Temazepam
Benzoic acid	Furosemide	D-Norpropoxyphene	Tetracycline
Benzphetamine	Gentisic acid	Noscapine	Tetrahydrocortisone
Buspirone	Hemoglobin	D/L-Octopamine	3-acetate
(\pm)-Brompheniramine	Hydralazine	Oxalic acid	Tetrahydrocortisone
Caffeine	Hydrochlorothiazide	Oxazepam	3 (β -D-glucuronide)
Cannabidiol	Hydrocortisone	Oxolinic acid	Theophylline
Chlordiazepoxide	O-Hydroxyhippuric acid	Oxymetazoline	Thiamine
Chloralhydrate	β -Hydroxynorephedrine	Papaverine	Thioridazine
Chloramphenicol	5-Hydroxytyramine	Penicillin-G	D/L-Tyrosine
Chlorothiazide	(serotonin)	Pentazocine	Tolbutamide
D/L-Chloropheniramine	3-Hydroxytyramine	hydrochloride	Trazodone
Chlorpromazine	Ibuprofen	Pentobarbital	Triamterene
Chloroquine	Imipramine	Perphenazine	Trifluoperazine
Cholesterol	Iproniazid	Phenelzine	Trimethoprim
Clonidine	(-)-Isoproterenol	Trans-2-phenylcyclopropylamine	Trimipramine
Cortisone	Isoxsuprine	Pentamine	D/L-Tryptophan
L-Cotinine	Phetamine	Phenylpropanolamine	Tyramine
Creatinine	Ketoprofen	Prendisolone	Uric acid
Clomipramine	Labetalol	Phenolbarbital	Verapamil
Deoxycorticosterone	Loperamide	Prednisone	Zomepirac
Derivomethorphan	Maprotiline		

REFERENCES

- Moolchan E, et al. Saliva and Plasma Testing for Drugs of Abuse: Comparison of the Disposition and Pharmacological Effects of Cocaine. Addiction Research Center, IRP, NIDA, NIH, Baltimore, MD. As presented at the SOFT-TIAFT meeting October 1998.
- Schramm W., et al. Drugs of Abuse in Saliva: A Review. J Anal Tox, 16 (1): 1-9, 1992.
- Kim I, et al. Plasma and oral fluid pharmacokinetics and pharmacodynamics after oral codeine administration. Clin Chem, 48 (9):1486-96, 2002.
- McCarron MM, et al. Detection of Phencyclidine Usage by Radioimmunoassay of Saliva. J Anal Tox. 8 (5): 197-201, 1984.
- Kang GI and Abbott FS. Analysis of methadone and metabolites in biological fluids with gas chromatography-mass spectrometry. J Chromatogr. 231(2); 311-319. Sept 1982.



“DIAQUICK” DOA Saliva Multi-6 Test

für humane Speichelproben

DOA Saliva Multi-6 Test AMP, MET, COC, OPI, PCP, THC
 - REF Z04580CE Inhalt: - 25 Tests, einzeln verpackt (25x REF Z09550B)
 - 25 Kollektoren
 - 25 Sammelröhrchen
 - 1 Packungsbeilage
 - 25 Sicherheitsiegel

DOA Saliva Multi-6/1 Test AMP, MET, COC, OPI, MTD, THC
 - REF Z08581CE Inhalt: - 25 Tests, einzeln verpackt (25x REF Z09553B)
 - 25 Kollektoren
 - 25 Sammelröhrchen
 - 1 Packungsbeilage
 - 25 Sicherheitsiegel

Nur für die In-vitro-Diagnostik. Nur für die Diagnose und das Überwachen therapeutischer Maßnahmen. Nur für den Gebrauch durch medizinisches Personal.

ANWENDUNGSBEREICH

Der “DIAQUICK” DOA SALIVA MULTI-6 TEST (für Speichelproben) ist ein chromatographischer Immunoassay für den qualitativen Nachweis von Amphetaminen, Kokain, Marihuana, Methamphetamin, Opiaten, Phencyclidin und deren Metaboliten in Speichel. Diese Substanzen können oberhalb der folgenden Cut-off Konzentrationen (Siehe Tabelle) nachgewiesen werden. Das Zeitfenster, innerhalb dessen diese Substanzen in Speichel nachgewiesen werden können, kann ebenfalls aus der folgenden Tabelle entnommen werden. Nur für die In-vitro-Diagnostik.

Parameter	Kalibrator	Cut-off (ng/mL)	Nachweiszeit
Amphetamin (AMP)	D-Amphetamin	50	10 min – 72 h
Kokain (COC)	Benzoylcegonin	20	10 min – 24 h
Marihuana (THC)	11-nor- Δ^9 -THC-9 COOH	12	bis zu 14 h
Methamphetamin (MET)	D-Methamphetamin	50	10 min – 72 h
Opiate (OPI)	Morphin	40	1 h – mehrere Tage
Methadon (MTD)	Methadon	30	bis zu 2 Tagen
Phencyclidin (PCP)	Phencyclidin	10	-

Dieser Test ergibt auch mit einigen anderen Substanzen ein positives Ergebnis. Bitte beachten Sie die Tabelle in dieser Anleitung, in der die jeweilige analytische Spezifität angegeben ist.

ALLGEMEINE INFORMATION

Methode kompetitiver immunochromatographischer Assay
Antigen > 2 µg/test drug-protein-conjugate
Antikörper > 2 µg/test anti-drug monoclonal antibody (mouse)
Haltbarkeit 24 Monate ab Produktionsdatum
Lagerung 2-30°C
Probe humaner Speichel
Ergebnisse nach 10 min., nicht nach über 20 min. ablesen

KLINISCHE BEDEUTUNG

Mit diesem Test kann nur ein vorläufiges Ergebnis erzielt werden. Eine spezifischere Methode muss verwendet werden, um ein abgesichertes Resultat zu erhalten (z. B.: GC/MS). Die Beurteilung von Ergebnissen aus Drogentests sollte immer professionell und mit der erforderlichen Umsichtigkeit sowie unter Einbeziehung anderer Faktoren erfolgen, besonders dann, wenn nur vorläufige Testergebnisse vorliegen.

TESTPRINZIP

Der “DIAQUICK” DOA SALIVA MULTI-6 TEST (Für Speichelproben) ist ein auf dem Prinzip der kompetitiven Bindung basierender Immunoassay. Drogen, die in der Probe enthalten sein könnten, konkurrieren mit immobilisiertem Drogenkonjugat um die Bindungsstellen der entsprechenden Antikörper. Während der Durchführung des Tests wandert ein Teil der Speichelprobe durch kapillare Sogwirkung entlang des Teststreifens in Richtung Testregion. Sollten nur Spuren der entsprechenden Drogen unterhalb der cut-off Konzentrationen in der Probe enthalten sein, so werden die Bindungsstellen der drogenspezifischen Antikörper nicht gesättigt und es kommt im Bereich des Testfelds für den entsprechenden Parameter zur Ausbildung einer gefärbten Testlinie. Damit wird ein negatives Ergebnis angezeigt. Konzentrationen über den jeweiligen cut-off Werten führen hingegen zu einer Sättigung der drogenspezifischen Antikörper, was die Ausbildung einer gefärbten Testlinie verhindert. Die Abwesenheit einer gefärbten Linie in der Testregion zeigt somit ein positives Ergebnis an.

LAGERUNG UND HALTBARKEIT

Die Testbestandteile müssen im versiegelten Beutel bis zur Verwendung bei Raumtemperatur (2-30°C) oder gekühlt gelagert werden. Nicht einfrieren! Der Test kann bis zum angegebenen Verfallsdatum verwendet werden. Nach dem Erreichen des Ablaufdatums darf dieser Test nicht mehr verwendet werden.

REAGENZIEN

Die Testcassette enthält Drogen-Protein Konjugat und Partikel, die mit monoklonalen Maus Antikörpern, spezifisch gegen die entsprechende Droge gerichtet, beschichtet sind.

WARNUNGEN UND VORSICHTSMASSNAHMEN

- Der Test ist nur für die In Vitro Diagnostik bestimmt. Test nach Erreichen des Ablaufdatums nicht mehr verwenden.
- Testcassetten erst unmittelbar vor Gebrauch aus der versiegelten Verpackung entnehmen.
- Alle Proben müssen wie infektiöses Material behandelt werden. Angemessene Vorkehrungen für die Handhabung und Entsorgung sind zu treffen.
- Die Kollektoren sowie die Testcassetten müssen nach Gebrauch gemäß den nationalen Bestimmungen entsorgt werden

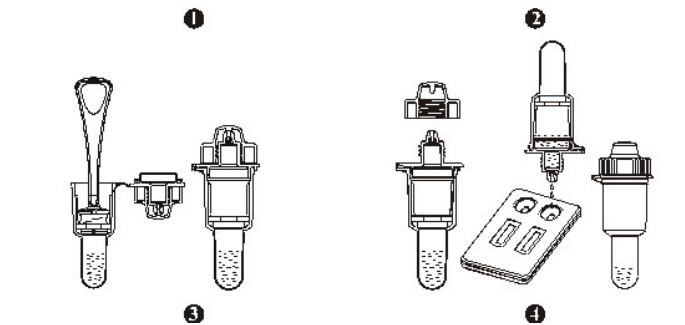
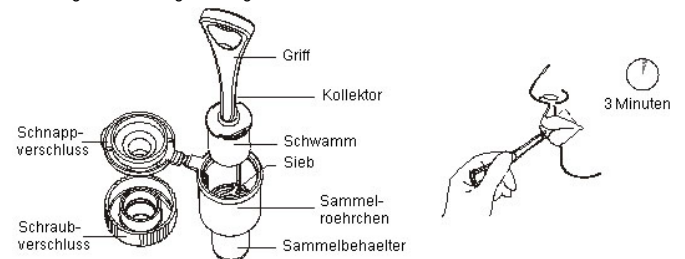
PROBENGEWINNING UND -VORBEREITUNG

Die Speichelprobe sollte mit Hilfe des mitgelieferten Kollektors erfolgen. Bitte nicht irgendwelche anderen Kollektoren für diesen Test verwenden. Das Sammeln der Speichelprobe ist nicht an bestimmte Tageszeiten gebunden. Kann die Testung der Probe nicht sofort erfolgen, so wird empfohlen, die Probe bei 2-8°C zu lagern. Sollte eine Lagerung von mehr als 72 Stunden notwendig sein, so sollte die Probe bei -20°C gelagert werden. Bis hin zu 48 Stunden ist auch eine Lagerung bei Raumtemperatur zulässig. Für einen optimalen Versand sollte die Probe auf Eispackungen für die Zeit des Transportes gelagert werden.

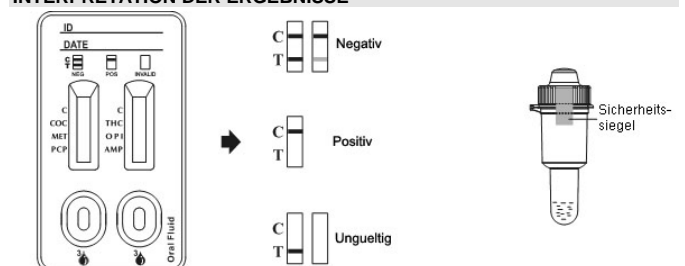
TESTDURCHFÜHRUNG

Vor der Durchführung des Tests müssen die Testcassetten, Proben, Puffer und/oder Kontrollen Raumtemperatur (15-30°C) erreicht haben. Die Testperson zumindest 10 Minuten vor Probenahme weder essen (auch keine Kaugummis), trinken oder rauchen.

- Die Testcassette aus dem versiegelten Beutel nehmen und sobald als möglich verwenden.
- Den mitgelieferten Kollektor mindestens 3 Minuten lang im Mund behalten, bis der Schwamm vollständig mit Speichel gesättigt ist. Der Kollektor sollte dabei aktiv im Mund bewegt werden. Vorsichtiges Drücken des Schwammes mit der Zunge gegen den Gaumen verbessert die Probengewinnung. Wenn der Schwamm mit Speichel gesättigt ist, sind keine harten Stellen mehr fühlbar.
- Den Deckel des Sammelröhrchens aufklappen, dann wird den Kollektor in das Sammelröhrchen drücken. Es sollte so fest gedrückt werden, dass ein Großteil des Speichels aus dem Schwamm in die Sammelkammer ausgepresst werden kann. Danach kann der Kollektor verworfen werden. Das Sammelröhrchen gut verschließen.
- Testcassette auf eine saubere und ebene Oberfläche legen. Den Schraubverschluss des Sammelröhrchens öffnen, das Röhrchen umdrehen und 3 Tropfen (ca. 100 µL) Speichel auf die Probenöffnung auftragen. Luftblasen beim Aufbringen auf die Testcassette vermeiden.
- Betätigen Sie die Stoppuhr und warten Sie, bis die gefärbte(n) Linie(n) erscheinen. Das Ergebnis sollte nach 10 Minuten, keinesfalls später als nach 20 Minuten, interpretiert werden
- Der Schraubverschluss kann wieder auf das Sammelröhrchen aufgeschraubt und für den eventuellen Versand in ein Labor zwecks Analysebestätigung mit einem mitgelieferten Siegel versiegelt werden.



INTERPRETATION DER ERGEBNISSE



NEGATIV: Zwei deutlich gefärbte Linien erscheinen. Eine gefärbte Linie sollte in der Kontrolllinienregion (C) und eine andere in der Testlinienregion (T) sein. Das zeigt an, dass die Drogenkonzentration im Speichel unter der Nachweisgrenze für des jeweiligen Parameters liegt.

***Achtung:** Die Stärke in der Testlinienregion (T) kann variieren, wobei jede auch noch so schwache Testlinie als negativ angesehen werden sollte.

POSITIV: Eine gefärbte Linie ist in der Kontrolllinienregion (C) sichtbar, aber nicht in der Testlinienregion (T). Ein positives Ergebnis zeigt an, dass die Drogenkonzentration bei oder über der Sensitivität des jeweiligen Parameters liegt.

UNGÜLTIG: Keine Kontrolllinie erscheint. Ungenügende Probenmengen oder eine fehlerhafte Testdurchführung sind die wahrscheinlichsten Ursachen für ein Versagen der Kontrolllinie. Lesen Sie die Testdurchführung nochmals durch und wiederholen Sie den Test mit einer neuen Cassette. Wenn das Problem bestehen bleibt, kontaktieren Sie Ihren Händler.

Achtung: Eine schwache Linie, die in der Testregion (T) erscheint, kann auftreten, wenn die Drogenkonzentration nahe der Nachweisgrenze des Tests liegt. Trotzdem sollte solch ein Ergebnis als negativ gewertet werden. Für eine Bestätigung des Ergebnisses muss eine sensitivere Methode verwendet werden.

QUALITÄTSKONTROLLE

Eine Verfahrenskontrolle ist im Test integriert. Eine gefärbte Linie, die in der Kontrollregion (C) erscheint wird als interne positive Verfahrenskontrolle angesehen. Sie bestätigt eine ausreichende Probenmenge, eine angemessenen Sogwirkung der Membran und eine korrekte Testdurchführung. Kontrollstandards sind in diesem Kit nicht integriert. Es wird jedoch empfohlen, dass Positiv- und Negativkontrollen getestet werden.



EINSCHRÄNKUNGEN DER METHODE

- Der "DIAQUICK" DOA SALIVA MULTI-6 TEST liefert nur ein vorläufiges qualitatives Ergebnis. Eine 2. analytische Methode muss angewendet werden um ein bestätigtes Ergebnis zu erhalten. Gaschromatographie/ Massenspektroskopie oder die Gaschromatographie/Tandem Massenspektroskopie sind die Methoden der Wahl.
- Ein positives Testergebnis sagt nichts über die Konzentration oder die Art der Verabreichung der jeweiligen Droge aus.
- Ein negatives Testergebnis bedeutet nicht, dass keine Drogen oder Drogenmetaboliten in der Probe enthalten sind. Es könnten Spuren von Drogen unterhalb des cut-off Wertes enthalten sein.

TESTCHARACTERISTIK

ANALYTISCHE SENSITIVITÄT

Eine phosphatgepufferte Lösung wurde mit Drogen mit Werten $\pm 50\%$ cut-off und $\pm 25\%$ cut-off versetzt und mit dem "DIAQUICK" DOA SALIVA MULTI-6 TEST getestet. Die Ergebnisse sind in der folgenden Tabelle zusammengefasst:

Drogenkonz.	n	MTD		COC		MET	
		-	+	-	+	-	+
0% Cut-off	30	30	0	30	0	30	0
-50% Cut-off	30	30	0	30	0	30	0
-25% Cut-off	30	24	6	30	0	28	2
Cut-off	30	14	16	20	10	23	7
+25% Cut-off	30	8	22	6	24	7	23
+50% Cut-off	30	0	30	0	30	0	30

Drogenkonz.	n	PCP		THC		OPI	
		-	+	-	+	-	+
0% Cut-off	30	30	0	30	0	30	0
-50% Cut-off	30	30	0	30	0	30	0
-25% Cut-off	30	30	0	24	6	26	4
Cut-off	30	22	8	15	15	20	10
+25% Cut-off	30	8	22	11	19	5	25
+50% Cut-off	30	0	30	0	30	0	30

Drogenkonz.	n	AMP					
		-	+				
0% Cut-off	30	30	0				
-50% Cut-off	30	30	0				
-25% Cut-off	30	26	4				
Cut-off	30	19	11				
+25% Cut-off	30	7	23				
+50% Cut-off	30	0	30				

ANALYTISCHE SPEZIFITÄT

In der folgenden Tabelle sind die Konzentrationen von Verbindungen (ng/mL) angeführt, die mit dem "DIAQUICK" DOA SALIVA MULTI-6 TEST ein positives Ergebnis ergaben.

AMPHETAMIN (AMP)		OPIATE (OPI)	
D-Amphetamin	50	Morphin	40
DL-Amphetamin	125	Codein	10
β -Phenylethylamin	4,000	Ethylmorphin	24
Tryptamin	1,500	Hydromorphin	100
p-Hydroxyamphetamin	800	Hydrocodon	100
(+)-3,4-Methylenoxyamphetamin (MDA)	150	Levorphanol	400
L-Amphetamin	4,000	Oxycodon	25,000
KOKAIN (COC)		MORPHIN 3- β -D- Glucuronid	
Benzoylcegonin	20	Norcodein	1,500
CKokain HCl	20	Normorphin	12,500
Cocaethylen	25	Nalorphin	10,000
Ecgonin HCl	1,500	Oxymorphon	25,000
Ecgoninmethylester	12,500	Thebain	1,500
MARIHUANA (THC)		DIACETYLMORPHIN (Heroin)	
11-nor- Δ^8 -THC-9 COOH	12	6-Monoacetylmorphin	25
Cannabinol	12,500	Bilirubin	3,500
11-nor- Δ^8 -THC-9 COOH	2	PHENCYCLIDINE (PCP)	
Δ^8 -THC	6,000	Phencyclidin	10
Δ^9 -THC	10,000	Tetrahydrozolol	50,000
METHAMPHETAMIN (MET)		METHADON (MTD)	
D-Methamphetamine	50	Methadon	30
Fenfluramin	60,000	Doxylamin	50,000
p-Hydroxymethamphetamine	400	Estron-3-Sulfat	50,000
Methoxyphenamin	25,000	Phencyclidin	50,000
3,4-Methylenoxyamphetamin (MDMA)	50		
L-Phenylephrin	4,000		
Procain	2,000		
(1R,2S) - (-) Ephedrin	400		

KREUZREAKTIVITÄT

Es wurde eine Studie durchgeführt, in der einer drogenfreien phosphatgepufferten salinen Lösung die folgenden Substanzen zugegeben wurden. Die folgenden Substanzen bewirkten mit dem "Diaquick" Multi-6 Speicheltest bei einer Konzentration von jeweils 100 μ g/mL keine falsch positiven Ergebnisse.

Nicht kreuzreagierende Substanzen:

Acetaminophen	Diazepam	Maprotilin	Prednison
Acetophenetidin	Diclofenac	MDE	Promazin
N-Acetylprocainamid	Dicyclomin	Mehentermin	Promethazin
Acetylsalicylsäure	Diflunisal	Meperidin	D/L-Propranolol
Aminopyrin	Digoxin	Meprobramat	D-Propoxyphen
Amoxicillin	Diphenhydramin	Methadon	D-Pseudoephedrin
Ampicillin	Doxylamin	Methyphenidat	Chinacrin
Amitypylin	L - Ψ -Ephedrin	Nalidixinsäure	Chinin
Amobarbital	β -Estradiol	Naloxon	Chinidin
Ascorbinsäure	Estrone-3-sulfat	Naltrexon	Ranitidin
Apomorphin	Ethyl-p-aminobenzoat	Naproxen	Salicylsäure
Aspartam	L-Epinephrin	Niacinamid	Secobarbital
Atropin	Erythromycin	Nifedipin	Sulfamethazin
Benzoesäure	Fenoprofen	Nimesulid	Sulindac
Benzetamin	Furosemid	Noretindron	Temazepam
Buspiron	Gentisinsäure	D-Norpropoxyphen	Tetracyclin
(\pm)-Brompheniramin	Hämoglobin	Noscapin	Tetrahydrocortison
Coffein	Hydralazin	D/L-Octopamin	3-acetat
Cannabidiol	Hydrochlorothiazid	Oxalsäure	Tetrahydrocortison
Chlordiazepoxid	Hydrocortison	Oxazepam	3 (β -D-glucuronide)
Chloralhydrat	o-Hydroxyhippursäure	Oxolinsäure	Theophyllin
Chloramphenicol	β -Hydroxynorephedrin	Oxymetazolin	Thiamin
Chlorothiazid	5-Hydroxytyramin	Papaverin	Thionidazin
D/L-Chlorpheniramin	(Serotonin)	Penicillin-G	D/L-Tyrosin
Chlorpromazin	3-Hydroxytyramin	Pentazocinhydrochloride	Tolbutamid
Chloroquin	Ibuprofen	Pentobarbital	Trazodon
Cholesterol	Imipramin	Perphenazin	Triamteren
Clonidin	Iproniazid	Phenelzin	Trifluoperazin
Cortison	(-)-Isoproterenol	Trans-2-phenylcyclopropylamin	Trimethoprim
L-Cotinin	Isoxsuprin	Phentermin	Trimipramin
Creatinin	Ketamin	Phenylpropanolamin	D/L-Tryptophan
Clomipramin	Ketoprofen	Prednisolon	Tyramin
Deoxycorticosteron	Labetalol	Prednison	Harnsäure
Dextromethorphan	Loperamid	Phenolbarbital	Verapamil
			Zomepirac

BIBLIOGRAPHIE

- Moolchan E., et al. Saliva and Plasma Testing for Drugs of Abuse: Comparison of the Disposition and Pharmacological Effects of Cocaine. Addiction Research Center, IRP, NIDA, NIH, Baltimore, MD. As presented at the SOFT-TIAFT meeting October 1998.
- Schramm W., et al. Drugs of Abuse in Saliva: A Review. J Anal Tox, 16 (1): 1-9, 1992.
- Kim I., et al. Plasma and oral fluid pharmacokinetics and pharmacodynamics after oral codeine administration. Clin Chem, 48 (9):1486-96, 2002.
- McCarron MM, et al. Detection of Phencyclidine Usage by Radioimmunoassay of Saliva. J Anal Tox. 8 (5): 197-201, 1984.
- Kang GI and Abbott FS. Analysis of methadone and metabolites in biological fluids with gas chromatography-mass spectrometry. J Chromatogr. 231(2); 311-319. Sept 1982.

